

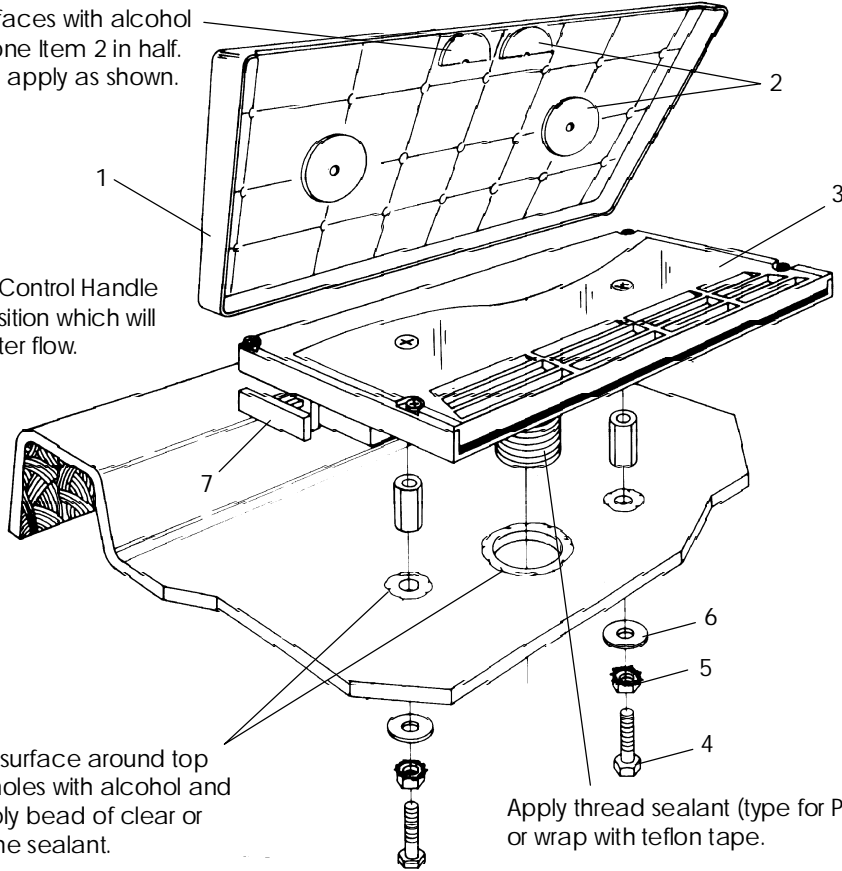


SPAS

WATER RAINBOW® FILL SPOUT ASSEMBLY

Clean mating surfaces with alcohol and let dry. Cut one Item 2 in half. Remove liner and apply as shown.

NOTE: Flow Control Handle shown in position which will allow full water flow.



Clean shell surface around top edge of 3 holes with alcohol and let dry. Apply bead of clear or black silicone sealant.

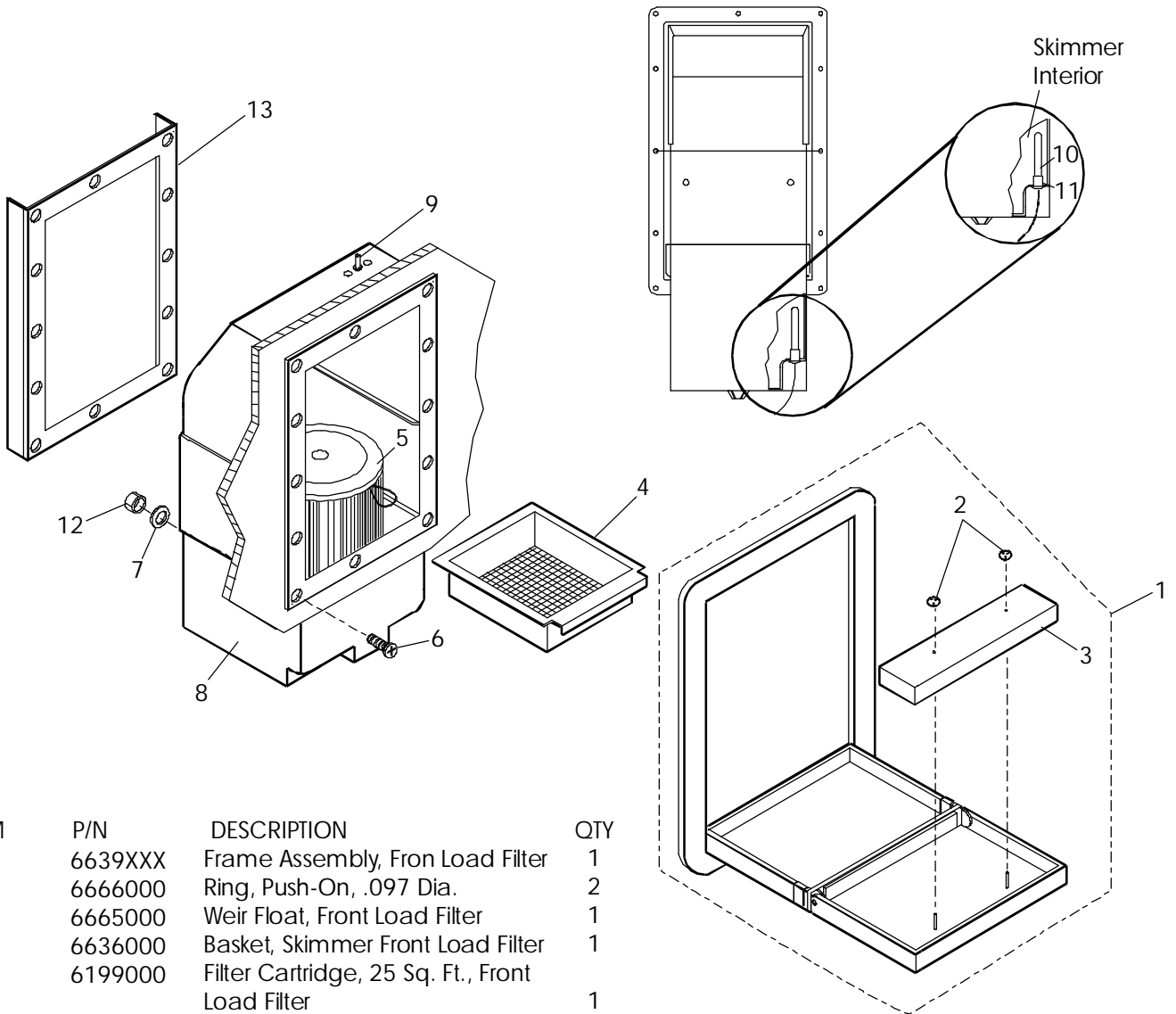
Apply thread sealant (type for PVC plastic only) or wrap with teflon tape.

ITEM	P/N	DESCRIPTION	QTY
1	7537XXX	Water Rainbow Cover	1
2	5409000	Adhesive, Switch Cap	3
3	5999000	Fill Spout Assembly	1
4	3945832	Bolt, Hex 1/4-20 x 1.00"L.	2
5	4034832	Nut, Locking Head Kep Type 1/4-20	2
6	3983832	Washer, 1/4 Flat, Type A Pln Wd Ser	2
7	8676000	Repair Handle, Water Rainbow	1



SPAS

FRONT LOAD FILTER/SKIMMER ASSEMBLY



ITEM	P/N	DESCRIPTION	QTY
1	6639XXX	Frame Assembly, Fron Load Filter	1
2	6666000	Ring, Push-On, .097 Dia.	2
3	6665000	Weir Float, Front Load Filter	1
4	6636000	Basket, Skimmer Front Load Filter	1
5	6199000	Filter Cartridge, 25 Sq. Ft., Front Load Filter	1
6	3975000	Screw, Mach, PHP, #10-24 x 1.00"L.	12
7	4036000	Washer, #10 Flat, Type A Pln Wd Ser	12
8	9912000	Front Load Body/Seal Assembly	1
9	6171000	Seal, Valve 1"	1
10	5659000	Sleeve, Thermostat	1
11	5660000	Grommet, Sealing	1
12	3991832	Nut, Hex, UNC-2B #10-24	12
13	G894000	Backing Plate, Skimmer	1