



## Owner's Manual

### **WARNING**

**FOR YOUR SAFETY - This product must be installed and serviced by authorized personnel, qualified in pool/spa installation. Improper installation and/or operation can create a hazard which can cause serious injury, property damage, or death. Improper installation and/or operation will void the warranty.**

# TABLE OF CONTENTS

## SECTION 1

### Safety Information

1A. Safety Instructions..... 1

## SECTION 2

### General Information

2A. Introduction..... 2

## SECTION 3

### Emptying the Ray-Vac Unit

3A. Emptying the Debris Compartment..... 2

## SECTION 4

### Skimmer Guard

4A. Skimmer Guard Installation..... 3

## SECTION 5

### Remove Ray-Vac Hose from Pool Wall

5A. Quick Disconnect..... 3

## SECTION 6

### Speed Adjustment After Cleaning

6A. Speed Adjustment..... 3

## SECTION 7

### Ray-Vac Maintenance

7A. General Maintenance..... 6

## SECTION 8

### Troubleshooting

8A. Troubleshooting..... 7

## SECTION 9

### Exploded Views and Parts Lists

9A. Ray-Vac and Ray-VacDM Hose..... 8

9B. Ray-Vac and Ray-VacDM Gunite Head... 8

9C. Ray-Vac and Ray-VacDM  
Vinyl/Fiberglass Head..... 8

## Equipment Information Record

Date of Purchase \_\_\_\_\_ Purchased From \_\_\_\_\_

Ray-Vac Model Number \_\_\_\_\_

Serial Number \_\_\_\_\_

Installed by \_\_\_\_\_ Service Number \_\_\_\_\_

Notes: \_\_\_\_\_

\_\_\_\_\_

## **SECTION 1.**

### **Safety Information**

#### **1A. Safety Instructions**

#### **READ AND FOLLOW THESE SAFETY INSTRUCTIONS! PLEASE SAVE THESE INSTRUCTIONS**

#### **Caution**

1. Handrails which extend into the water must be removed or substituted with a figure four design so as not to obstruct the movement of the cleaner.
2. Ladders present a special situation requiring our special Ladder Guard Kit. If the ladder guard is not installed on the cleaner head, the unit can become entangled in the ladder.
3. Ideal pool are those with curved corners with a radius of at least 6" including all step and love seat areas. Pools with square corners or corners with less than 90° angles (especially in step or love seat areas) can cause problems.
4. Never install the pool cleaner in pools which have obstacles such as islands, stools, or non-removable fountains, as the cleaner can become entangled.

#### **FOR LONGER RAY-VAC® LIFE**

To maximize the life expectancy of your Ray-Vac®

1. Never operate the Ray-Vac® with people in the pool.
2. Remove the pool cleaner from the pool and lay it out straight whenever you super chlorinate your pool (high concentrations of chlorine CAN damage the hoses).
3. If a wheel is severely worn, broken, or missing, turn off the Ray-Vac® and do not operate until wheel has been replaced.

## SECTION 2. General Information

### 2A. Introduction

The Jandy Ray-Vac® automatic pool cleaner is designed to both vacuum and sweep your swimming pool. The cleaner head moves in a random submerged pattern about the pool, traveling, vacuuming and cleaning from the pool floor to the water line. Its pattern is determined by the shape of the pool, the hydrodynamics of the cleaner design, adjustments of the water pressure, and the forward and backward motion created by the patented backup jet system.

The pool cleaner, by the use of its large suction mouth, will vacuum dirt, leaves, and debris and store it in its own chamber located in the cleaner head. In addition, its drive jets are angled slightly downward creating a powerful jet action to sweep any small debris down to the main drain where it is removed by the filter system.

In most typical residential pools, the pool cleaner will eliminate 90% or more of the manual labor involved in cleaning the pool. Because many of the factors present in a swimming pool, such as shape of the pool, location of the return lines, mounting point of the cleaner, etc., there may be small areas where dirt tends to collect. Usually, these areas are small and are considered normal.

## SECTION 3. Emptying the Ray-Vac

### 3A. Emptying the Debris Chamber

1. To prevent the cleaner from losing debris, leave the pump(s) on (filter or booster pump) and direct the cleaner towards the edge of the pool.
2. Grab the cleaner by the nose wheel and lift it out of the pool (direct water coming from cleaner toward the pool. See Fig 1).

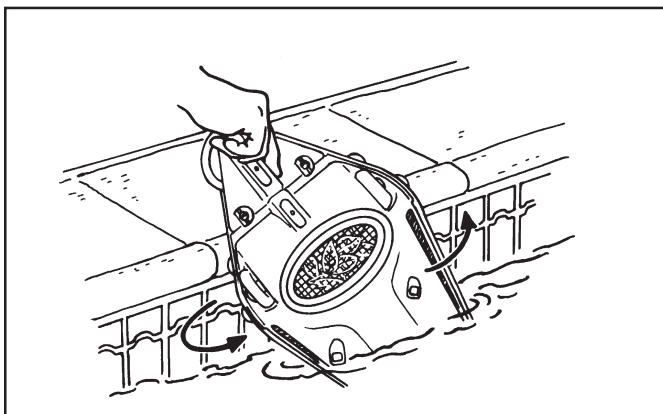


Figure 1. Remove Ray-Vac from Pool

3. Place the Ray-Vac on its back. Locate the two (2) debris compartment latches. Rotate latch to open position (see Fig 2).
4. While holding the Ray-Vac head down, firmly grasp debris compartment cover. Pull the debris compartment cover up and away from the tail section to remove (see Fig 3).
5. Pull the screen up and away from the tail section to remove (see Fig 4).

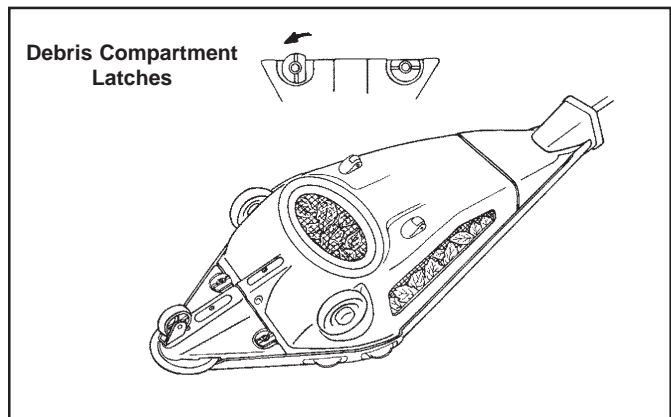


Figure 2. Open Debris Compartment Latches

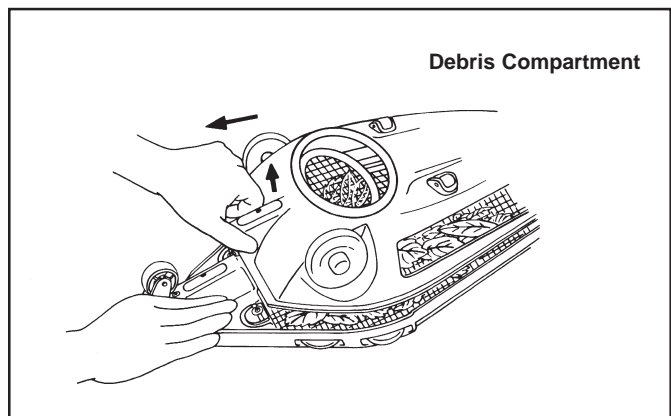


Figure 3. Remove Debris compartment

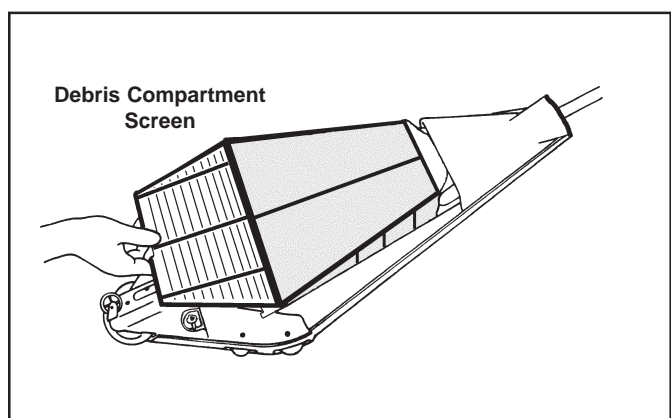


Figure 4. Remove Debris Compartment Screen

6. If the pump(s) is on: put your hand over the hole in the back of the cleaner and force the water back into the cleaner. Use the whip hose to further remove any debris.
7. If the pump(s) is off: use a garden hose to remove debris.
8. Make sure all moving parts are free of debris. Install the screen and debris compartment. Place the Ray-Vac back into the pool.

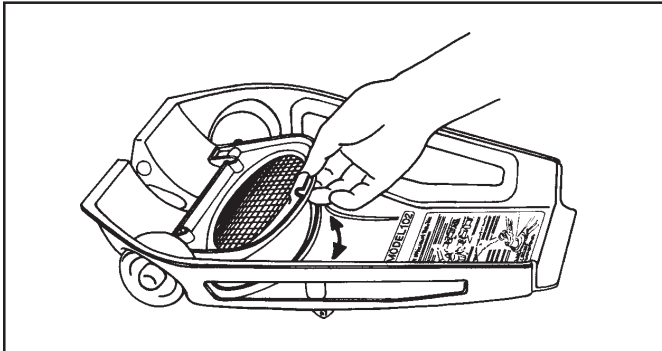


Figure 5. Check Debris Compartment Door

## SECTION 4. Skimmer Guard

### 4A. Skimmer Guard Installation

1. Insert the Skimmer Guard into the center of the skimmer opening about 1" from the wall edge.
2. Begin turning the top half of the skimmer guard clockwise while holding the bottom half until you see the guard expanding in length.
3. Continue turning until the guard expands to fit tightly between the top and bottom of the skimmer opening.

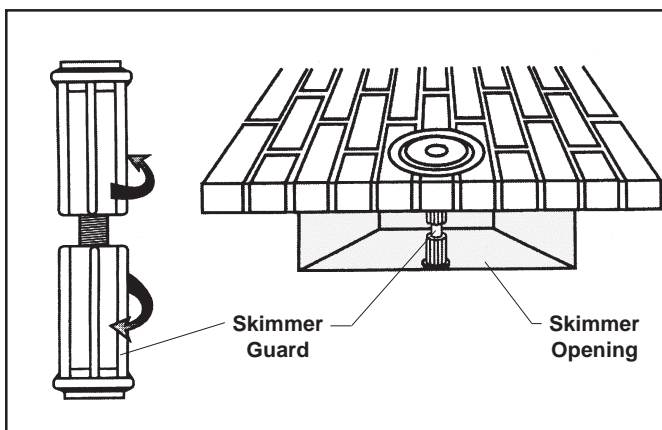


Figure 6. Skimmer Guard

## SECTION 5. Remove Ray-Vac Hose from Pool Wall

### 5A. Quick Disconnect

1. At the equipment pad, turn off all pool pumps.
2. Grasp the Quick Disconnect Coupler and turn it counterclockwise  $\frac{1}{4}$  turn.
3. Pull out and remove hoses from pool.
4. To reinstall, align tabs on Quick Disconnect Coupler in the Wall Reducer.
5. To lock, turn the Quick Disconnect Coupler  $\frac{1}{4}$  turn clockwise, then give a gentle pull on the hose to seat the Quick Disconnect Coupler.

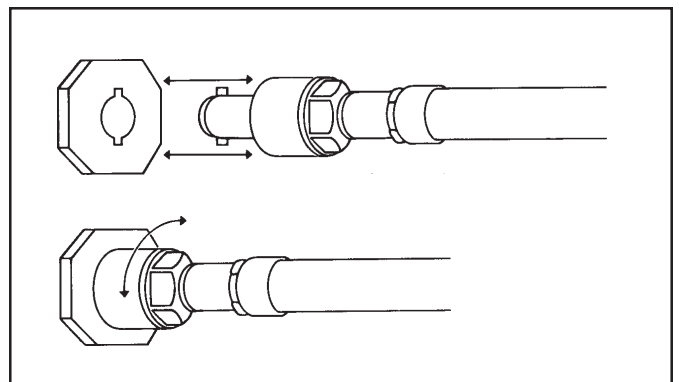


Figure 7. Remove Quick Disconnect

## SECTION 6.

### Speed Adjustment After Cleaning

Energy efficient Ray-Vac pool cleaners plumbed with a Jandy Energy Filter and valve require adjustment of speed after each cleaning of the main filter. If your Ray-Vac operates with a booster pump, this adjustment will not be necessary. If you are uncertain whether your Ray-Vac operates with a booster pump, check with your pool professional.

#### 6A. Speed Adjustment

1. At the equipment pad, turn off filtration pump. Follow filter manufacturer's recommended procedures for cleaning main filter. Before cleaning main filter, be sure to turn the Jandy 3-port valve so the line to the Ray-Vac is closed.

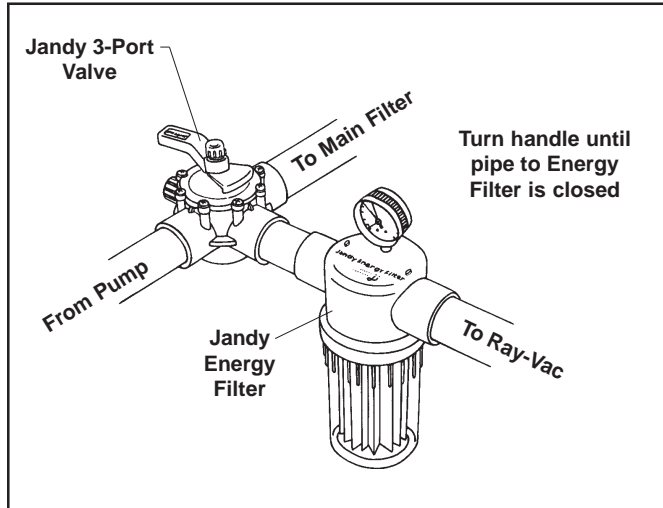


Figure 9. Ray-Vac Energy Filter and Jandy Valve

2. Check the Jandy Energy Filter bowl. If clogged, you must clean the filter. Use the following steps:
  - a. Grasp clear bowl.
  - b. Remove the clear bowl and filter element. If the bowl is tight, place a large screwdriver between two of the tabs at the bottom of the bowl. Use the shank of the screwdriver as a lever to loosen the bowl.
  - c. Rinse off the filter element and replace into bowl.
  - d. Tighten clear bowl by spinning the bowl into the housing until resistance is felt. Then tighten  $\frac{1}{4}$  turn further. Hand tighten only.

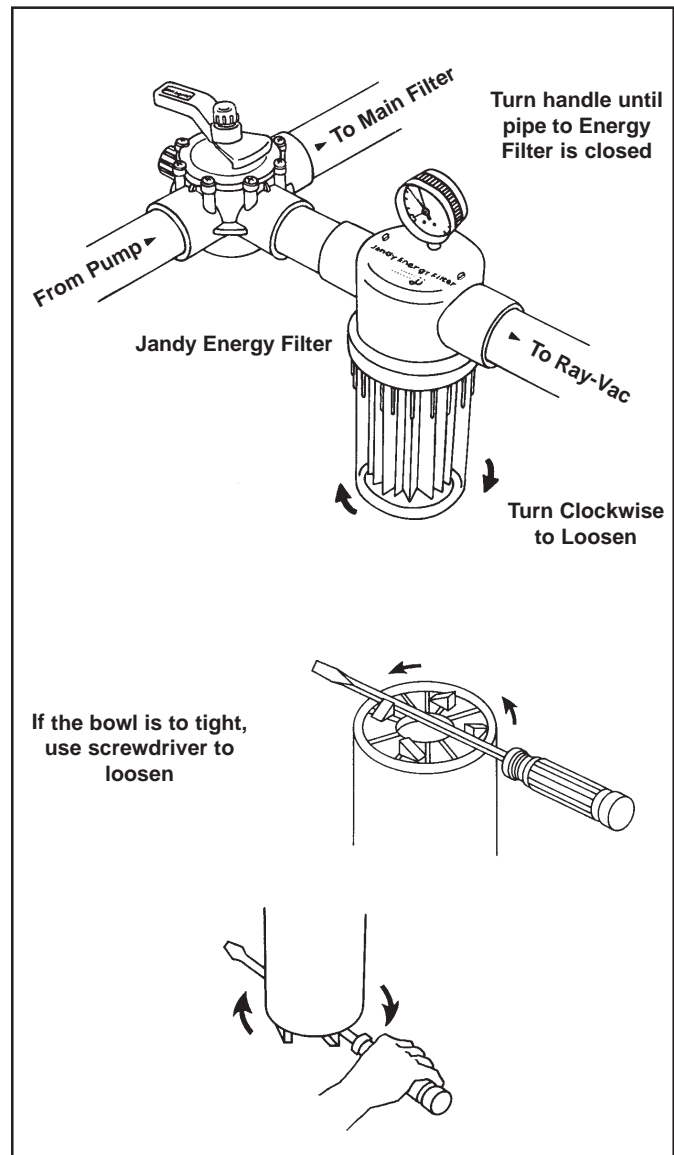


Figure 10. Removing Energy Filter

3. Check the Finger Screen (at rear of Hydro-Timer)
  - If it is clogged, use the following steps to clear:
    - a. Grasp and hold the Hydro-Timer while you unscrew the Finger Screen Case.
    - b. Remove the Finger Screen and rinse it off.
    - c. Place the Finger Screen back into its case and tighten onto the Hydro-Timer.

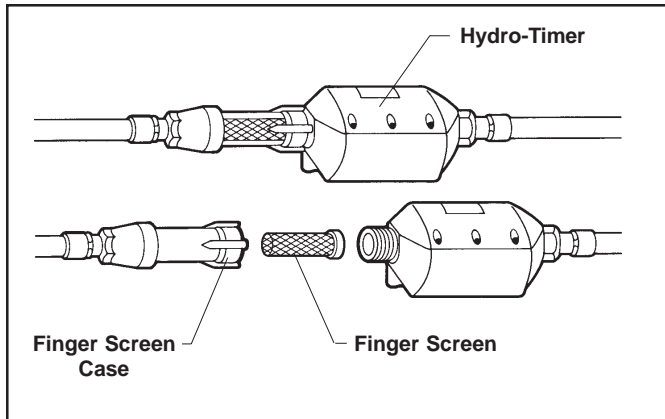


Figure 11. Cleaning Finger Screen

4. At the pool equipment pad **with the filter pump turned on**, turn the valve handle until pressure gauge reads according to the chart for your cleaner hose length (see Table 1).

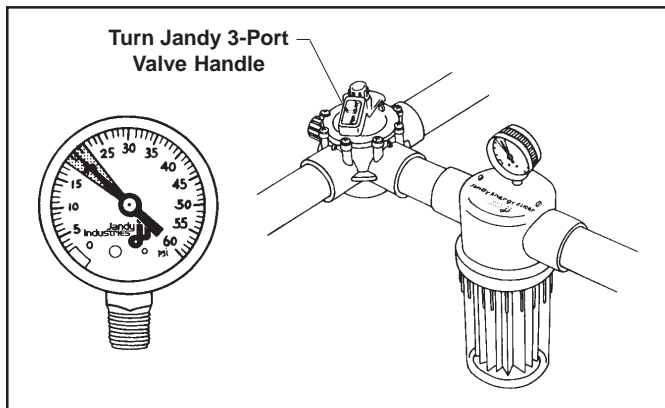


Figure 11. Isolate Energy Filter

5. If the Ray-Vac sticks in an obstacle (i.e. corners, ladders, skimmers, etc.) it is possible to increase the pull out by changing the backup jet size.
  - a. Remove Jet "A" from its holder and place it in the discharge hole "B".
  - b. Use a flat head screwdriver to turn the tab under the locking tab "C".

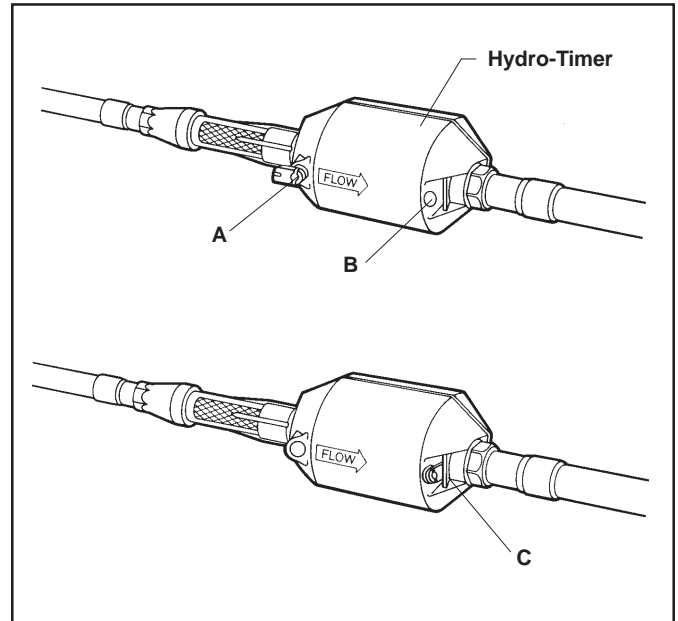


Figure 12. Changing Backup Jet Size

Length of hose between wall fitting and nose of Ray-Vac	Pressure Setting on Gauge
21' 5"	18 psi
24' 5"	19 psi
27' 5"	20 psi
30' 5"	21 psi
33' 5"	22 psi

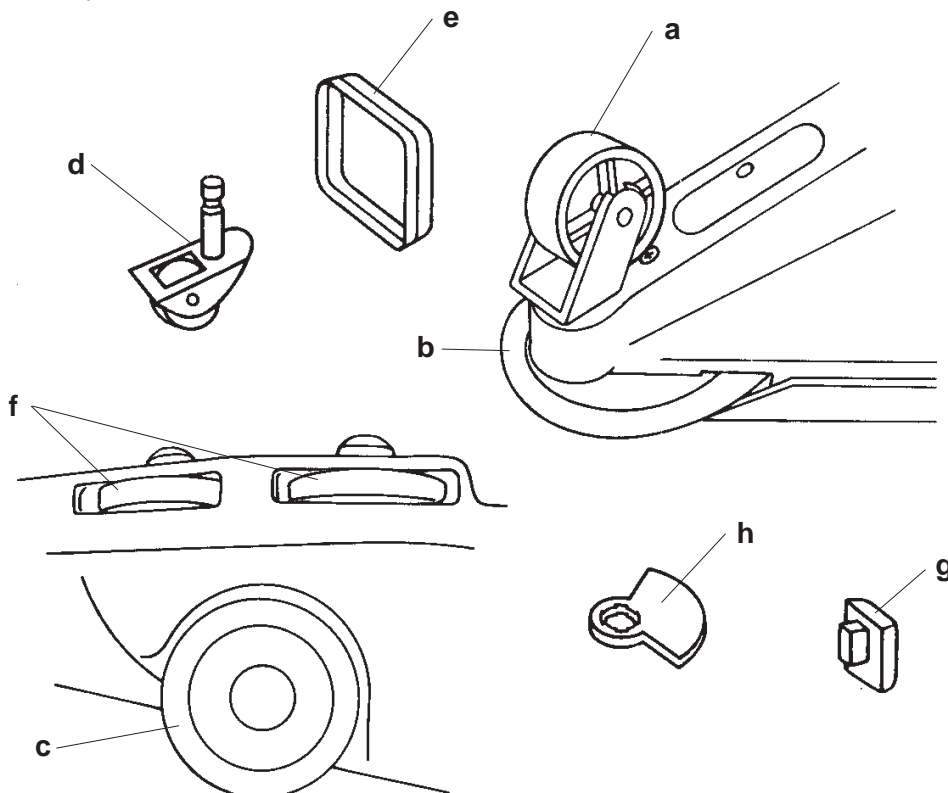
Table 1. Ray-Vac Pressure Settings

## SECTION 7. Ray-Vac Maintenance

It is important to maintain the Ray-Vac as demonstrated to insure the unit a longer life.

### 7A. General Maintenance

1. Clean main filter (see Manufacturers Owner Manual).
2. Clean Energy Filter (see Section 6 "Speed Adjustment after Cleaning").
3. Clean Finger Screen (see Section 6 "Speed Adjustment after Cleaning").
4. Clean Debris Compartment Screen (see Section 3 "Emptying the Ray-Vac Unit").
5. Check for wear on the following parts (see exploded view for part numbers):
  - a. Nose Castor Wheel
  - b. Nose Wheel
  - c. Drive Wheels
  - d. Swivel Wheels
  - e. Venturi Bumper
  - f. Side Wheels
  - g. Wear Skids
  - h. Nose Bumper (Top)
  - i. Nose Bumper (Bottom)
6. Check Debris Compartment Door (see Section 3 "Emptying the Ray-Vac Unit").
7. Check all hoses for wear. Carefully examine for holes, soft spots or worn areas. Be sure to check the Whip Hose, Silicone Pusher Hose, and Silicone hose with Sea Anchors (see exploded view).
8. When adding chemicals to your pool, allow your filtration system to circulate for at least four (4) hours to thoroughly mix the chemicals before operating the cleaner. Accelerated wear and deterioration of the pool cleaner may occur if this procedure is not followed.
9. Adjust the Ray-Vac speed (see Section x "Clean Energy Filter").
10. If the cleaner is out of the pool for an extended period of time, store the hoses straight and flat or in very large (4' diameter) loops. Do not store in original shipping box or hang over hooks or nails as this will cause kinks in the hose.





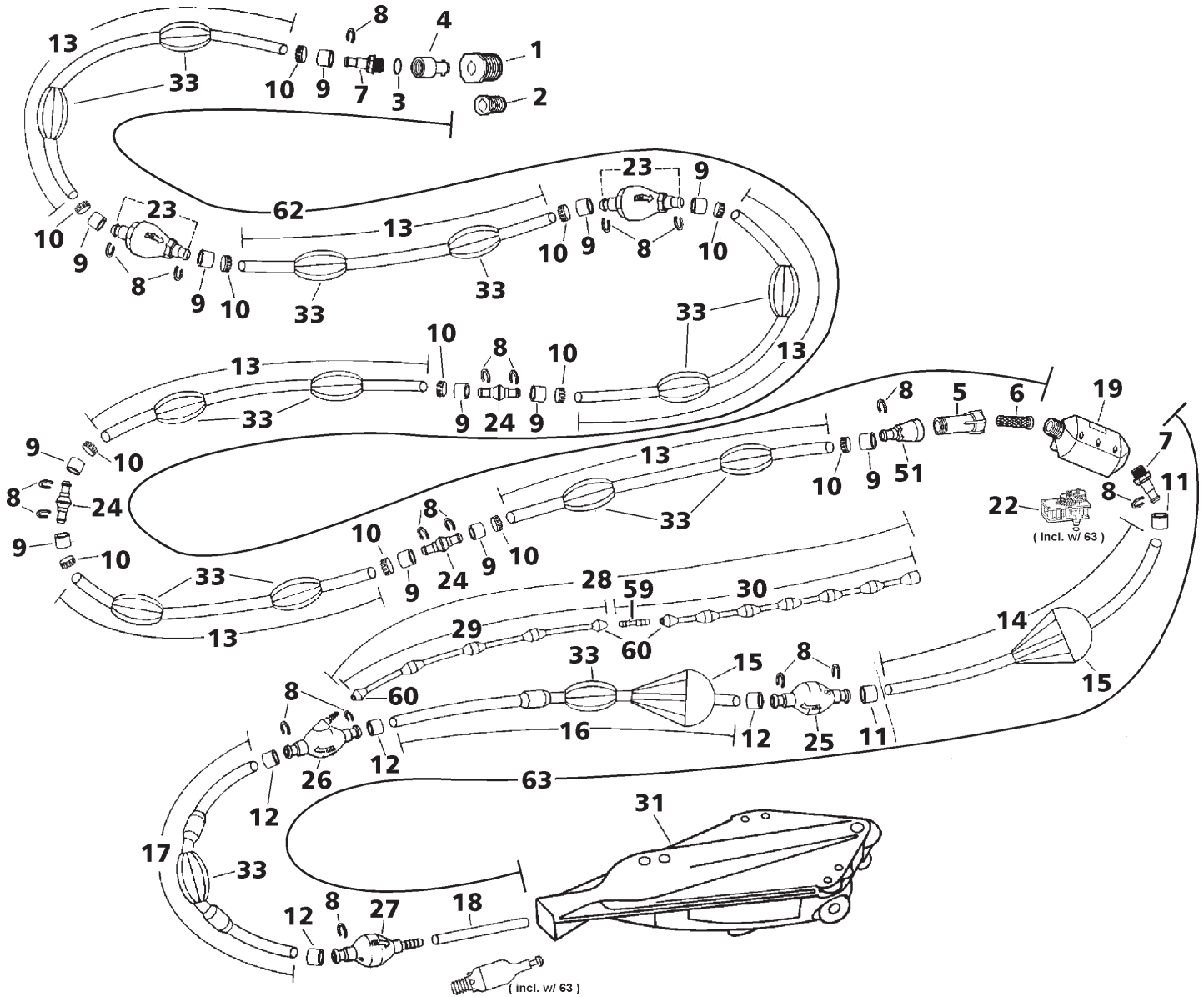
## SECTION 8. Troubleshooting

### 8A. Troubleshooting

<b><u>Problem</u></b>	<b><u>Cause</u></b>	<b><u>Solution</u></b>
Pool Cleaner stalls in corner.	Corner restricting movement of movement of Ray-Vac. Nose caster wheel jammed with debris. Increase backup.	No adjustment needed. Wait until backup jet pulls unit out of the corner. Clean or replace. See instructions under Speed Adjustment.
Pool Cleaner stalls in skimmer.	Skimmer opening is larger than Ray-Vac.  Increase backup.	No adjustment needed. Wait until backup jet pulls unit out of corner. Add optional skimmer guard. See instructions under Speed Adjustment.
Cleaner stops moving.	Filter system off. Unit in backup cycle. Dirty Finger Screen or Energy Filter. Hole in hose. Backup Hydro-Timer releasing most of the water out of the discharge hole. Transporter jet plugged.	Check time clock. Normal operation. Clean Finger Screen or Energy Filter. Replace defective hose. Replace defective backup jet gear assembly.  Clean or replace the transporter jet.
Cleaner moves very slowly.	Debris chamber full. Finger Screen, Energy Filter, main filter, or filter pump strainer is dirty. Insufficient speed. Hose in hose. Water in head float. Pressure gauge has failed false reading.	Clean chamber. Clean as necessary.  Increase speed by increasing pressure to cleaner. Replace defective hose. Replace defective head float. Replace pressure gauge
Hose tangles.	Debris chamber full. Cleaner moves to slowly. Feed hose too long. Frozen swivels. Bent or irregular hose. Water in head float. Floatation incorrect.	Clean chamber. Speed up cleaner by increasing pressure to cleaner. Recheck hose length. Check and/or replace swivels. Straighten or replace hose. Replace defective head float. See "Hose Length adjustment" section.
Dirt accumulates near main drain.	Insufficient suction on the main drain.  Cleaner in not operating long enough.	Reset suction so at least 50% of the circulation water is sucked from the main drain. Increase running time of the cleaner by adjusting time clock to operate longer.
Finger Screen is often found dirty.	Energy Filter element is damaged. Debris is passing by main filter. Valve to Ray-Vac was not closed.	Check Energy Filter element and replace if necessary Main filter element damaged. Replace as necessary. Close valve to Ray-Vac before cleaning the main
Cleaner beaches on top step.	Insufficient water above top step.	Cleaner need a minimum of 5" of water to operate properly.
Cleaner stops on main drain.	Too much suction through main filter.	Reset suction on main drain.
Cleaner tangles in ladder.	Ladder/skimmer guard not installed.	Install optional ladder/skimmer guard.

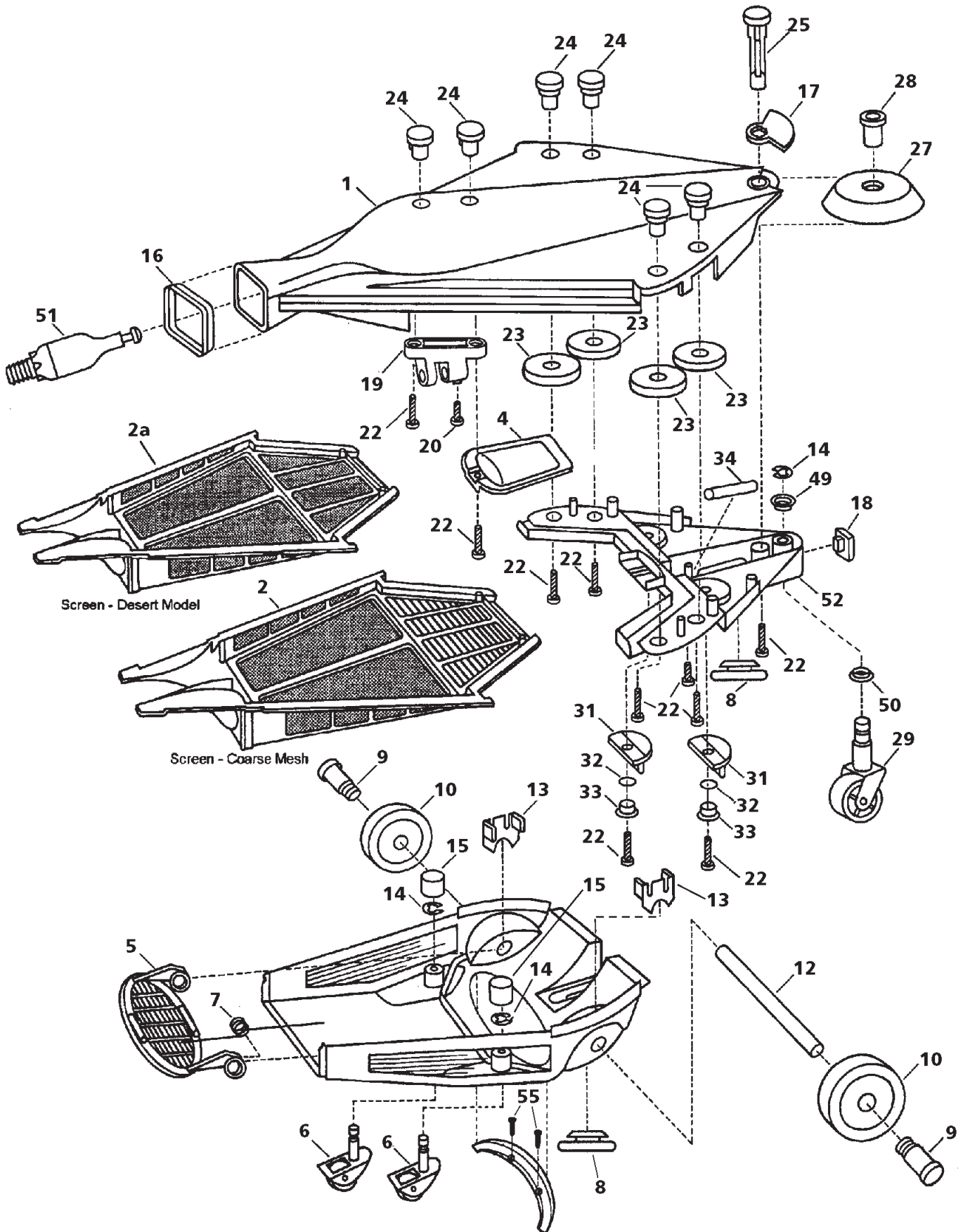
# SECTION 9. Exploded View and Part Numbers

## 9A. Ray-Vac and Ray-Vac/DM Hose Parts List and Exploded View



Dwg #	Old Part#	2002 Part#	Description
1	3782	R0376300	Quick Disconnect Wall Fitting 1 1/2" † See #5532
2	3783	R0376300	Quick Disconnect Wall Fitting 3/4" † See #5532
3	1138	R0376300	Garden Hose Washer
4	3784	R0376300	Quick Disconnect Coupler † See #5532
5	1098	R0372800	Filter Screen Case
6	1099	R0372800	Filter Screen
7	2030	R0373000	Hydro-timer Swivel, Ball Bearing
8	1121	R0374100	Mender Sleeve Retaining Clip † See #3222,3223,3224,4143,3449
9	1115	R0377300	Mender Sleeve 5/8" Vinyl † See #3222,3272
10	1116	R0377300	Mender Sleeve Ferrule 5/8" Vinyl † See #3222,3272
11	1117	R0374100	Mender Sleeve 1/2" Vinyl † See #3223
12	1119	R0374100	Mender Sleeve 1/2" Silicone † See #3224
13	2015	R0374300	Hose Vinyl 5/8" w/2 Floats
14	1453	R0377100	Hose Vinyl 1/2" w/Sea Anchor
15	1139	R0376400	Sea Anchor † See #4267
16	1814	R0377200	Hose Silicone 1/2" x 2' w/Sea Anchor/Float/Wear Ring
17	2985	R0375700	Hose Silicone 1/2" x 12" w/2 Wear Rings/Float
18	2818	R0373600	Pusher Hose Silicone 3/8" x 12"
19	4296	R0376500	Hydro-timer Replacement Kit
20	1325	R0376500	Screw #8 x 5/8"/Ht Case
21	2300	R0376500	O-ring, Cover For Hydro-timer
22	2822	R0377000	Hydro-timer Gear Assembly
23	2029	R0373000	Line Swivel, Ball Bearing Complete
24	1140	R0373000	Hose Coupler
25	1141	R0373000	Line Jet
26	1162	R0373000	Line Whip "Y" Jet
27	1161	R0373000	Pusher Jet
28	3154	R0373400	Whip 6' Blue Complete w/8 Wear Rings/Sleeve/Jet
29	3183	R0373400	Whip 3' w/3 Wear Rings
30	1177	R0373400	Whip 3' Blue w/Wear Rings/Jet/Sleeve
31	3587	R0374900	Head Replacement White(Black R0375000,Dessert Model R0376800,Vinyl R0376000)
32	2931	R0373200	Speed Adjustment Kit*
33	1120	R0374300	Line Float
34	3272	R0374300	Hose Vinyl 5/8" Extension Kit *
35	3222	R0377300	Mender Sleeve Kit 5/8" Vinyl*
36	3223	R0374100	Mender Sleeve Kit 1/2" Vinyl*
37	3224	R0374100	Mender Sleeve Kit 1/2" Silicone*
38	2524	R0376500	Hydro-timer Jet .25
39	2523	R0374200	Hydro-timer Jet .20
40	1133	R0376500	Hydro-timer Case Top
41	3781	R0376500	Hydro-timer Case Bottom † See #3981
42	3225	R0373400	Whip Jet Kit*
43	2887		Jandy Filter w/Gauge & Valve
44	2870	R0373200	Pressure Gauge 0-60 P.S.I. 1/8"
45	2612	R0374000	Jandy Filter Top w/Adapter
46	3391	R0374600	Jandy Filter Element Poly Pro
47	3293	R0374500	Jandy Filter O-ring Replacement Kit*
48	3191	R0373500	Jandy Filter Bowl w/O-ring
49	1154		Valve 3-Port CPVC 1 1/2"
50	2888		Jandy Filter w/Gauge
51	3786	R0372800	Fitting 3/4" Fgh To Vinyl Hose
52	4047	R0373000	Swivel Rebuild Kit*
53	4060	R0376500	Quick Disconnect Kit*
54	3981	R0376500	Hydro-timer Case Bottom Kit*
55	2930	R0373200	Booster Pump Kit*
56	4143	R0374100	Mender Sleeve Retaining Clip Kit (6 Pack)*
57	4267	R0376400	Sea Anchor Kit*
58	5532	R0376300	Quick Disconnect Coupler Kit
59	1178	R0373400	Barbed Joiner
60	1433	R0373400	Barb Joiner Sleeve
61	3266	R0374200	Corner Kit*
62	7072	R0375400	Back Hose Tune Up Kit
63	7073	R0375400	Front Hose Tune Up Kit (Includes Gear Assembly)
64	2777	R0376900	Transporter Jet

### 9B. Ray-Vac and Ray-Vac/DM Gunite Head Parts List and Exploded View



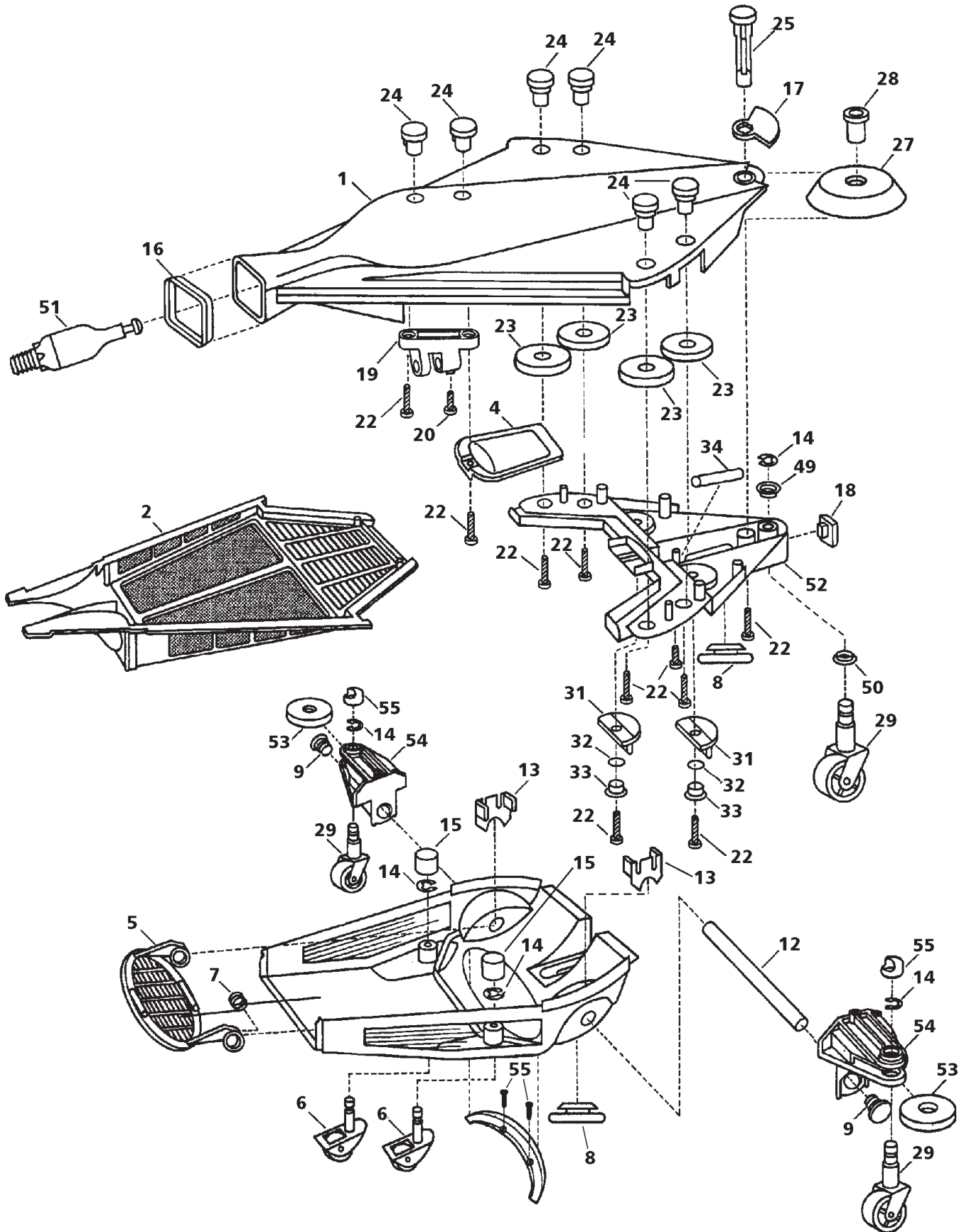
Dwg #	OldPart #	2002 Part #	Description
1	3589	R0374900	Top Complete White* (Black R0375000)
2	3518	R0374700	Screen Frame Complete FM White (Black R0375300)
2a	6938	R0375200	Screen Desert Model (Extra)
3	3590	R0375100	Bottom Complete
4	2772	R0373600	Float
5	3671	R0375100	Door Complete*
6	3555	R0373700	Swivel Wheel Complete (Small) & See 3723
7	3539	R0375100	Door Spring White (Black R0376600)
8	2800	R0375800	Wear Skid
9	2797	R0373700	Drive Wheel Hub Cap & See #3215
10	2796	R0373700	Drive Wheel & See #3215
11	3215	R0373700	Drive Wheel Kit*
12	2798	R0375100	Drive Wheel Shaft White (Black R0376600)
13	3506	R0375100	Drive Wheel Bushing Clip White (Black R0376600)
14	2746	R0373700	E-ring & See #3589, 3590, 3615, 3619, 3723, 4142
15	2794	R0373700	Swivel Wheel Housing Cover & See #3723
16	3514	R0375500	Venturi Bumper & See #3611
17	3512	R0375500	Nose Bumper Top & See #3611
18	3513	R0375500	Nose Bumper Bottom & See #3611, 3619
19	2776	R0373600	Transporter Jet Sleeve & See #3270
20	1092	R0373600	Screw #6 x 1/4" Triple-dual Holding
21	2990		Screw #6 x 5/8" & See #3269, 3270, 4131, 4590
22	1409		Screw #6 x 1/2" Type 25
23	2808	R0374900	Side Wheel & See #3618, 3269
24	2809	R0374900	Side Wheel Axle & See 3618, 3269
25	2806	R0373700	Nose Wheel Axle & See 3613, 3269
26	2810	R0373600	Transporter Jet Wear Button & See #3269, 3270
27	3521	R0373700	Nose Wheel & See 3613
28	2841	R0373700	Nose Wheel Axle Bushing & See #3613
29	3363	R0375800	Nose Caster Wheel Complete & See #3615
30	3293	R0374500	Jandy Filter O-ring Replacement Kit
31	2799	R0375800	Latch & See #3016
32	2814	R0375800	Latch O-ring 008 & See #3016
33	2840	R0375800	Latch Washer & See #3016
34	3533	R0375800	Nose Weight & See #3619
35	2915	R0373100	Ladder Guard Side Axle & See #2916
36	2914	R0373100	Ladder Guard Nose Axle & See #2916, 3276
37a	2916	R0373100	Ladder Guard Kit White
37b	3276	R0374400	Ladder Guard Kit (Tall)
38	3016	R0375800	Bottom Latch Kit*
39a	2936	R0373300	Skimmer Guard Kit Standard
39b	2999	R0373300	Skimmer Guard Kit Tall
40	3615	R0375800	Nose Caster Wheel Kit*
41	3218	R0373700	Side Wheel Kit*
42	3613	R0373700	Nose Wheel Kit*
43	3611	R0375500	Bumper Kit*
44	3723	R0373700	Swivel Wheel Kit*
45	3617	R0373700	Drive Wheel Clip Kit* Gunitite (R0373800 Vinyl)
46	3270	R0373600	Transporter Jet Sleeve Kit*
47	3269	R0374900	Wear Button Kit*
48	3619	R0375800	Nose Plate Kit*
49	3509	R0373700	Nose Caster Wheel Insert Bushing Top & See #'s 3615, 3616, 3619, 4590, 4618
50	3510	R0373700	Nose Caster Wheel Insert Bushing Bottom & See #'s 3615, 3619, 4618
51	2777	R0376900	Transporter Jet Complete
52	4618	R0373700	Nose Caster Wheel Bushing Kit*
53	4107	R0375500	Flat Mouth White & See Kit # 4632*
54	4632	R0375500	Flat Mouth Kit*
55	4301	R0375500	Screw #4 x 5/16" Phil Pn Ss (Black R0375600)
56	2138	R0373600	Screw 8.32 x 3/4

**NOTE:**

† Not Sold Separately.  
Included In The Part #  
Indicated.

\* Bagged Parts Kits See  
pgs. 122-125.

### 9C. Ray-Vac and Ray-Vac/DM Vinyl/ Fiberglass Head Parts List and Exploded Views



Dwg #	OldPart #	New Part #	Description
1	3646	R0376000	Top Complete V/F*
2	4039	R0376100	Screen Frame Complete Coarse
2a	3518	R0374700	Screen Frame Complete Fm
3	3645	R0375900	Bottom Complete V/F
4	2772	R0373600	Float
5	3671	R0375100	Door Complete *
6	2795	R0373800	Swivel Wheel Complete (Small) & See #3220, 3645
7	3539	R0375100	Door Spring
8	2800	R0375800	Wear Skid
9	3627	R0373800	Drive Wheel Hub Cap & See #3645, 3725
10	3293	R0374500	Jandy Filter O-ring Replacement Kit *
11	3725	R0375900	Drive Wheel Housing Kit V/F *
12	3638	R0375900	Drive Wheel Shaft V/F
13	3506	R0375100	Drive Wheel Bushing Clip & See #3617
14	2746	R0373700	E-ring & See #3589, 3590, 3615, 3619, 3723, 4142
15	2794	R0373700	Swivel Wheel Housing Cover & See #3220
16	3514	R0375500	Venturi Bumper & See #3611
17	3512	R0375500	Nose Bumper Top & See #3611
18	3513	R0375500	Nose Bumper Bottom & See #3611,4136
19	2776	R0373600	Transporter Jet Sleeve & See #3270
20	1092	R0373600	Screw #6 x ¼" Triple-dual Holding
21	2990		Screw #6 x 5/8" & See #3269, 3270, 4131, 4590
22	1409		Screw #6 x ½" Type 25
23	2808	R0374900	Side Wheel & See #3618, 3269
24	2809	R0374900	Side Wheel Axle & See 3618, 3269
25	2806	R0373700	Nose Wheel Axle & See 3613, 3269
26	2810	R0373600	Transporter Jet Wear Button & See #3269,3270
27	3628	R0373800	Nose Wheel & See 3726
28	2841	R0373700	Nose Wheel Axle Bushing & See #3613
29	3639	R0376200	Nose Caster Wheel V/F & See #3725,3727
30	1467	R0377000	Screw #6 x ½" Phil Pn "A" Ht
31	2799	R0375800	Latch & See #3016
32	2814	R0375800	Latch O-ring 008 & See #3016
33	2840	R0375800	Latch Washer & See #3016
34	3533	R0375800	Nose Weight & See #3619
35	2915	R0373100	Ladder Guard Side Axle & See #2916
36	2914	R0373100	Ladder Guard Nose Axle & See #2916, 3276
37a	2916	R0373100	Ladder Guard Kit White
37b	3276	R0374400	Ladder Guard Kit (Tall)
38	3016	R0375800	Bottom Latch Kit *
39a	2936	R0373300	Skimmer Guard Kit Standard
39b	2999	R0373300	Skimmer Guard Kit Tall
40	3727	R0376200	Caster Wheel Kit V/F *
41	3726	R0373800	Nose Wheel Kit V/F *
42	3218	R0373700	Side Wheel Kit*
43	3611	R0375500	Bumper Kit *
44	3220	R0373800	Swivel Wheel Kit V/F*
45	3617	R0373700	Drive Wheel Clip Kit*
46	3270	R0373600	Transporter Jet Sleeve Kit *
47	3269	R0374900	Wear Button Kit *
48	4136	R0376200	Nose Plate Kit White V/F*
49	3509	R0373700	Nose Caster Wheel Insert Bushing Top & See #'s 3615, 3616, 3619, 4590,
4618			
50	3510	R0373700	Nose Caster Wheel Insert Bushing Bottom & See #'s 3615, 3619, 4618
51	2777	R0376900	Transporter Jet Complete
52	4136	R0376200	Nose Plate Kit (White) V/F
53	3629	R0373800	Side Wheel V/F & See #'s 3645, 3725
54	3630	R0373800	Caster Wheel Housing V/F & See #'s 3645,3725
55	3640	R0373800	Caster Wheel Cover V/F & See #'s 3645, 3725
56	3642	R0373800	Swivel Wheel Washer V/F & See #'s 3220,3645
57	2138	R0373600	Screw 8.32 x ¾"
58	4618	R0373700	Nose Caster Wheel Bushing Kit *

**NOTE:**

† Not Sold Separately.  
Included In The Part #  
Indicated.  
\* Bagged Parts Kits See  
pgs. 122-125.

## LIMITED WARRANTY

These warranties extend only to the first retail purchaser of Laars and Jandy products that have not been moved from their original installation sites. Laars and Jandy warrants all parts to be free from manufacturing defects in material and workmanship as detailed below for the designated time frame, commencing from the date of installation. If any parts are found to have manufacturing defects, Laars and Jandy will provide replacement of such defective parts.

	<u>1 year</u>	<u>2 years</u>	<u>3 years</u>	<u>5 years</u>	<u>Lifetime</u>
<b>Cleaners:</b>					
Ray-Vac®		X			
Others	X				
<b>Control Systems:</b>					
AquaLink® RS and Accessories	X				
AquaLink® RS (w/Surge Protection)	X	X(\$50 Deductable)	X(\$75 Deductable)		
AquaSwitch®, Pool Control, Ji, and Solar Control	X				
<b>Filters:</b>	X			Tank	
<b>Heaters:</b>					
Lite2		Controls, Firebox Panels, Heat Exchanger, Burners		All Other Parts	
LX, Hi-E2		Controls, Firebox Panels, Heat Exchanger, Fan Motor, Burners		All Other Parts	
Hot Shot	X				
Oil-Fired, XL-2, XL-3		Oil Burner, Controls Heat Exchanger, Firebox		All Other Parts	
<b>Pumps:</b>	X	Motor (from Manufacturer)			
<b>Jandy Valve Actuator:</b>	X				
<b>Valves:</b>					
NeverLube®					X
Others	X				
<b>Water Features:</b>	X				

### EXCLUSIONS:

The liability of Laars and Jandy shall not exceed the repair or replacement of defective parts and does not include any costs for labor to remove and reinstall the defective part, transportation to or from the factory, and any other materials required to make the repair.

This warranty does not cover failures or malfunctions resulting from the following:

1. Failure to properly install, operate or maintain the product(s) in accordance with our published Installation, Operation and Maintenance Manuals provided with the product(s);
2. The workmanship of any installer of the product(s);
3. Not maintaining a proper chemical balance [pH level between 7.2 and 7.8, Total Alkalinity (TA) between 80 to 120 ppm, Total Dissolved Solids (TDS) less than 2000];
4. Abuse, alteration, accident, fire, flood, lightning, rodents, insects, negligence or acts of God;
5. Scaling, freezing, or other conditions causing inadequate water circulation;
6. Operating the product(s) at water flow rates outside the published minimum and maximum specifications;
7. Use of non-factory authorized parts or accessories in conjunction with the product(s);
8. Chemical contamination of combustion air or improper use of sanitizing chemicals such as, introducing sanitizing chemicals upstream of the heater and cleaner hose or through the skimmer;
9. Overheating, incorrect wire runs, improper electrical supply, collateral damage caused by failure of O-Rings, DE grids, or cartridge elements, damage caused by running the pump with insufficient water;
10. The installation of a surge protection kit does not extend the warranty of the original product(s).

### LIMITATION OF LIABILITY:

This is the only warranty given by Laars and Jandy. No one is authorized to make any other warranties on Laars and Jandy behalf. **THIS WARRANTY IS IN LIEU OF ALL OTHER WARRANTIES, EXPRESS OR IMPLIED, INCLUDING BUT NOT LIMITED TO ANY IMPLIED WARRANTIES OF FITNESS FOR A PARTICULAR PURPOSE AND MERCHANTABILITY. LAARS AND JANDY EXPRESSLY DISCLAIMS AND EXCLUDES ANY LIABILITY FOR CONSEQUENTIAL, INCIDENTAL, INDIRECT OR PUNITIVE DAMAGES FOR BREACH OF ANY EXPRESS OR IMPLIED WARRANTY.** This warranty gives you specific legal rights, and you may also have other rights which vary from state to state or by province.

### WARRANTY CLAIMS:

For prompt warranty consideration, contact your dealer and provide the following information: proof of purchase, model number, serial number and date of installation. The installer will notify the factory for instructions regarding the claim and for the location of the nearest Laars and Jandy designated service center. If the dealer is not available, you can locate a service center in your area by visiting [www.jandy.com](http://www.jandy.com) or you can call the Technical Support Department at (707) 776-8200 ext. 260 for assistance. All returned parts must have a Returned Material Authorization number in order to be considered for warranty evaluation. If there are any questions about the coverage of this warranty, please contact Laars and Jandy at the address below.



Jandy

Pool Cleaners

waterpik

Technologies, Inc.

\*6000 Condor Drive, Moorpark, CA, USA 93021 • 707.776.8200 FAX 707.763.7785  
480 S. Service Road West, Oakville, Ontario, Canada L6K 2H4 • 905.844.8233 FAX 905.844.2635

Litho in U.S.A. © Water Pik Technologies, Inc. 0202

For Technical Support call 707-776-8200, ext. 260