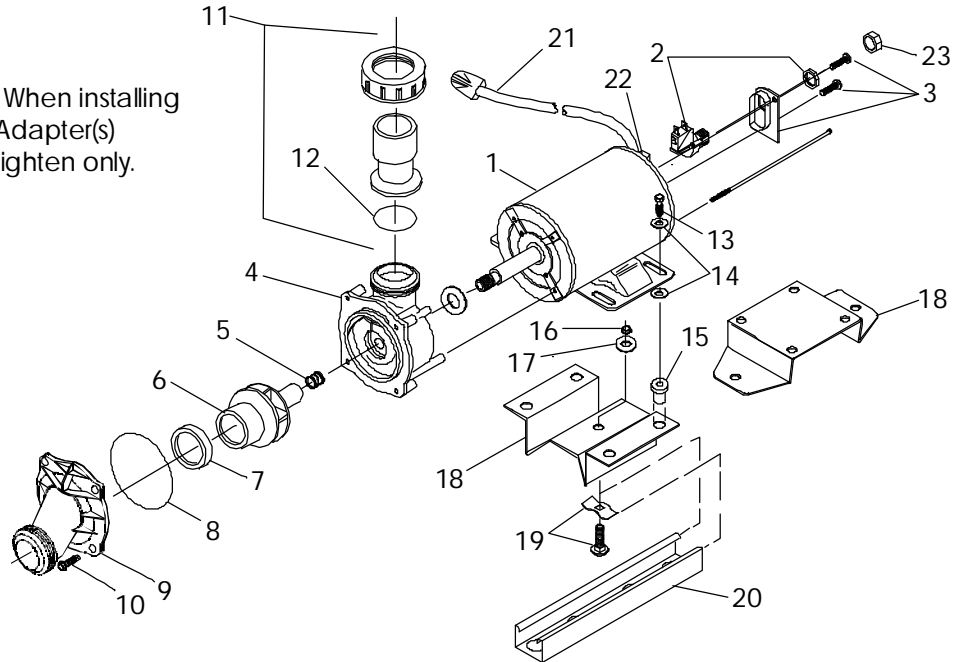




BATHS

J-PUMP/MOTOR ASSEMBLY

NOTE: When installing Union Adapter(s) hand-tighten only.



ITEM	P/N	DESCRIPTION	QTY
1	C049000	Motor Assy, Low (10 Amp) W/Cord & Switch	1
1	E672000	Motor Assy, High (16 Amp) W/Cord & Switch	1
2	7396000	Switch, SPDT, 21 Amp, Air Actuated	1
3	E698000	Enclosure, Air Switch	1
4	F156000	Bracket, J-Light	1
5	9245000	5/8" Mechanical Seal	1
6	9221000	Impeller, Low, J-Pump	1
6	C117000	Impeller, High, J-Pump	1
7	9243000	Eye Seal	1
8	9246000	O-Ring	1
9	F157000	Suction Flange, J-Light	1
10	F158000	Screw, Hex, Wshr Hd, 1/4-14 x 1.00"L.	4
11	9250000	Repair Kit, Union Adapter	1
12	9231000	O-Ring, Union	1
13	3945832	Bolt, Hex, 1/4-20 x 1.00"L.	4
14	3982832	Washer, 1/4 Flt, Type A Pln Wd Ser	8
15	9216000	Wellnut, Rubber, 1/4-20	4
16	4034832	Nut, Lockng Hd Kep Type, 1/4-20	1
17	4006832	Washer, 1/4 Flt, Type B Pln Wd Ser	1
*18	9217000	Bracket, Motor	1
*18	H333000	Bracket, Motor, 2" High	1
19	9214000	Stud Nut, 1/4-20 x 1.25"L.	1
20	9213000	Channel, 1.63 x .81 x 9.38	1
21	C843000	Cord, Power Supply, 115V, 15A, 3 Ft.	1
21	E701000	Cord, Power, 115 VAC, 20 A	1
22	2133000	Ground Lug	1
23	N186000	Strain Relief, Air Switch	1

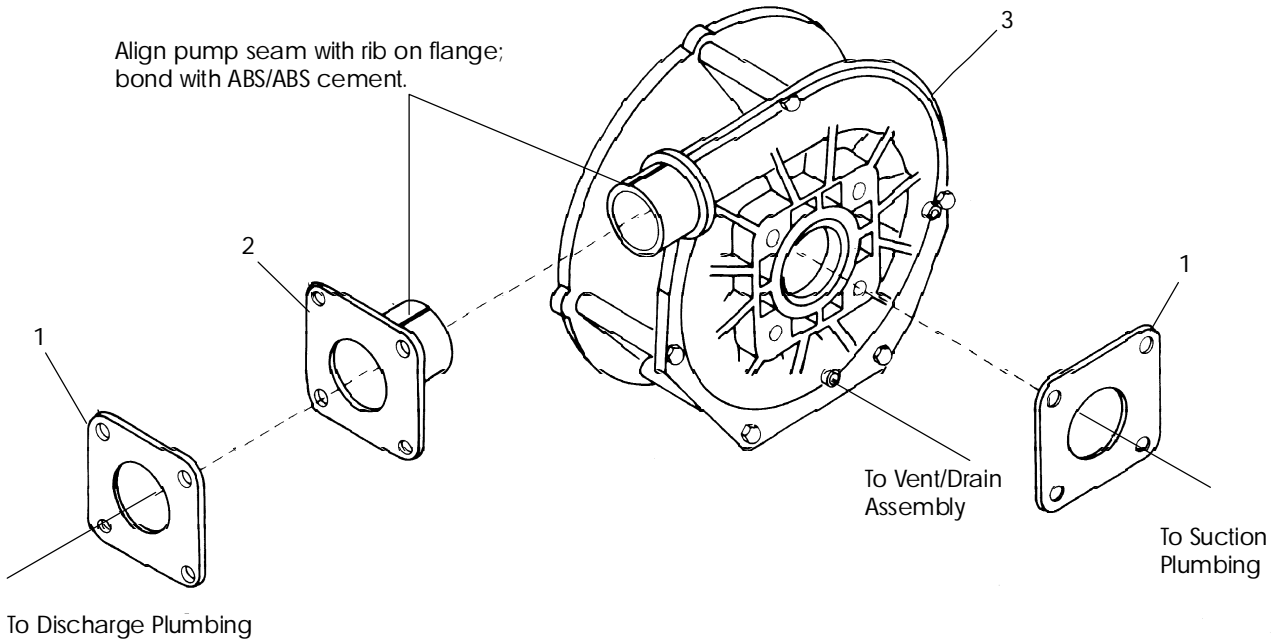
*Depending upon installation, select appropriate bracket.



BATHS

PUMP ASSEMBLY

NOTE: No longer used-discontinued on Designer Collection-4/92, discontinued on Builder Series-8/89.



ITEM	P/N	DESCRIPTION	QTY
1	0199000	Gasket, Pump Flange	2
2	4516000	Flange, Pump 2"	1
3	8501000	.75 HP Pump	1
3	9011000	1.0 HP Pump	1
3	8502000	1.5 HP Pump	1
3	8566000	2.0 HP Pump	1

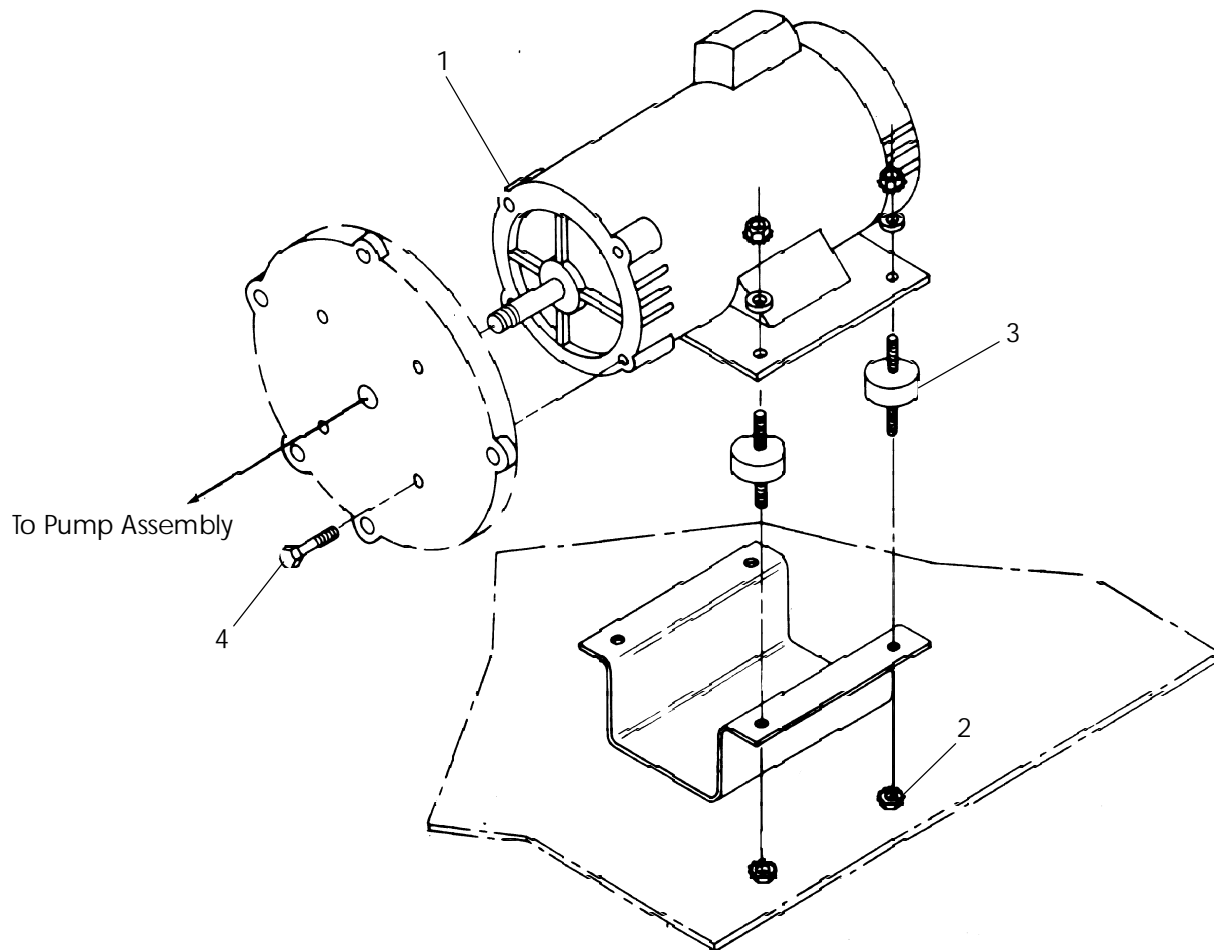
PLEASE NOTE: If you desire to order P/N 4580000, substitute P/N 8501000. For P/N 4582000 substitute P/N 8502000. For P/N 4583000 substitute 8566000. When ordering P/N 4634000 substitute P/N 9011000.



BATHS

MOTOR ASSEMBLY

NOTE: No longer used-discontinued 4/92.



ITEM	P/N	DESCRIPTION	QTY
1	2552000	Motor, .75 HP, 115/230 60 Hz, Drip-Proof	1
1	2812000	Motor, 1.0 HP, 2-Speed, 115 60 Hz, Drip-Proof	1
1	8654000	Motor, 1.5 HP, 115/230 60 Hz, Drip-Proof	1
2	4034832	Nut, Locking, Hd Kep Type 1/4-20	6
3	3689000	Vibration Damper	3
4	3953832	Bolt, Hex 3/8-16 x 1.00"L.	4

PLEASE NOTE: If you desire to order P/N 4592000, substitute P/N 8654000.
For P/N 2095000 substitute P/N 2552000. When ordering P/N 4593000 substitute P/N 2554000.