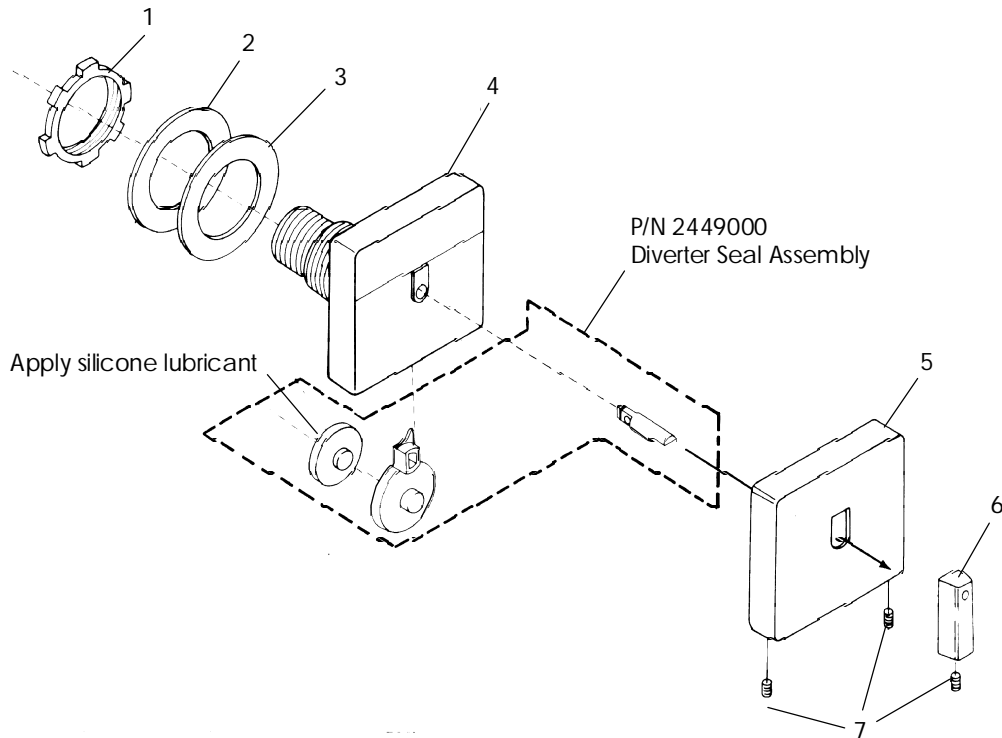




BATHS

FLUSH MOUNT FILL SPOUT/DIVERTER ASSEMBLY

NOTE: No longer used-discontinued 1/86.



ITEM	P/N	DESCRIPTION	QTY
1	4825832	Locknut, 1" - 11 1/2 NPT	1
2	4708000	Washer, 1.313" I.D. x 2.25" O.D., Fiber	1
3	1707000	Washer, 1.313" I.D. x 2.25" O.D., Rubber	1
4	5128000	Fill Spout Body, w/Diverter Seal Assembly	1
5	4125827	Cover Plate, Fill Spout, Chrome	1
5	4125828	Cover Plate, Fill Spout, Gold	1
5	4125829	Cover Plate, Fill Spout, Bright Brass	1
6	4126827	Diverter Knob, Chrome	1
6	4126828	Diverter Knob, Gold	1
6	4126829	Diverter Knob, Bright Brass	1
7	4027000	Screw, Set-Allen #6-32 x .25"L.	3

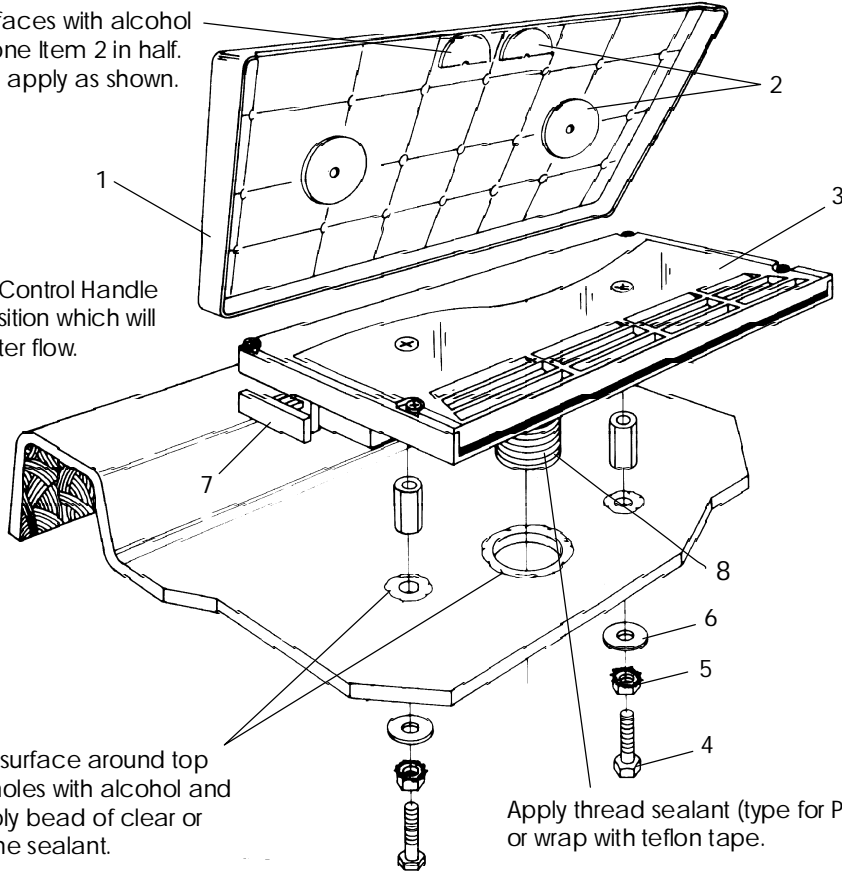


BATHS

WATER RAINBOW® FILL SPOUT ASSEMBLY

Clean mating surfaces with alcohol and let dry. Cut one Item 2 in half. Remove liner and apply as shown.

NOTE: Flow Control Handle shown in position which will allow full water flow.



Clean shell surface around top edge of 3 holes with alcohol and let dry. Apply bead of clear or black silicone sealant.

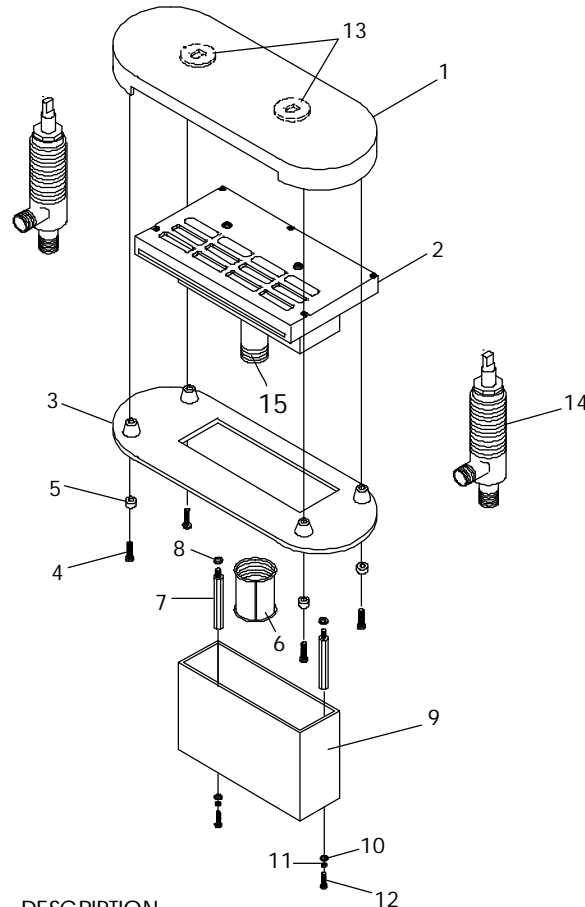
Apply thread sealant (type for PVC plastic only) or wrap with teflon tape.

ITEM	P/N	DESCRIPTION	QTY
1	6630827	Cover, Fill Spout, Chrome	1
1	6630828	Cover, Fill Spout, Gold	1
1	5996829	Cover, Fill Spout, Bright Brass	1
1	7537904	Cover, Fill Spout, Tan	1
1	7537914	Cover, Fill Spout, Almond	1
1	7537917	Cover, Fill Spout, Black	1
1	7537922	Cover, Fill Spout, Cinnabar	1
1	7537924	Cover, Fill Spout, Blue	1
1	7537940	Cover, Fill Spout, White	1
1	7537945	Cover, Fill Spout, Silver	1
1	7537949	Cover, Fill Spout, Rose	1
1	7537951	Cover, Fill Spout, Shell	1
1	7537952	Cover, Fill Spout, Raspberry	1
1	7537953	Cover, Fill Spout, Gray	1
1	7537956	Cover, Fill Spout, Pink	1
1	7537962	Cover, Fill Spout, Dusty Orchid	1
2	5409000	Adhesive, Switch Cap	3
3	5999000	Fill Spout Assembly	1
4	3945832	Bolt, Hex 1/4-20 x 1.00"L.	2
5	4034832	Nut, Locking Hd Kep Type 1/4-20	2
6	3982832	Washer, 1/4 Flat Type A Pln Wd Ser	2
7	8676000	Repair Handle, Water Rainbow	1
8	9236000	Flange Nipple, O-Ring Seal	1
N.S.	6696000	Packet, Accessory, Water Rainbow	1



BATHS

WATER RAINBOW® ULTRA FILL SPOUT



ITEM	P/N	DESCRIPTION	QTY
1	A341827	Cover, Ultra, Chrome	1
1	A341829	Cover, Ultra, Bright Brass	1
2	A165000	Fillspout Assembly, Open	1
3	A342827	Plate, Ultra, Chrome	1
3	A342829	Plate, Ultra, Bright Brass	1
4	G792000	Screw, Hex Washer Hd, #4 x .63"L., Tp 25	4
5	G791000	Spacer Nylon, .38" O.D., .25"L.	4
6	B374000	Coupling, 3/4", FPT x FPT	1
7	B372000	Spacer, 1/4-20, Brass	2
7	B136000	Spacer, 1/4-20, Brass Short	2
8	B373000	Washer, .50" x .27" x .09 Thick	2
9	B870000	Extension, 2.31", Chrome w/Logo	1
9	B871000	Extension, 2.31", Bright Brass w/Logo	1
9	B872000	Extension, 3.31", Chrome, w/Logo	1
9	B873000	Extension, 3.31", Bright Brass, w/Logo	1
10	4006832	Washer, 1/4 Flat, Type B Pln Wd Ser	2
11	4034832	Nut, Locking Hd Kep Type 1/4-20	2
12	3947832	Bolt, Hex, Full Thread, 1/4-20 x 1.50"	2
13	2329000	Gasket, Faucet Handle	2
14	A847000	Valve, Supply	2
15	9236000	Flange Nipple, O-Ring Seal	1
N.S.	G693000	Repair Kit, Faucet Valve	1
N.S.	A848000	Hardware Kit, Valve Mount	1
N.S.	A894000	Hook-Up Kit, Bath	1



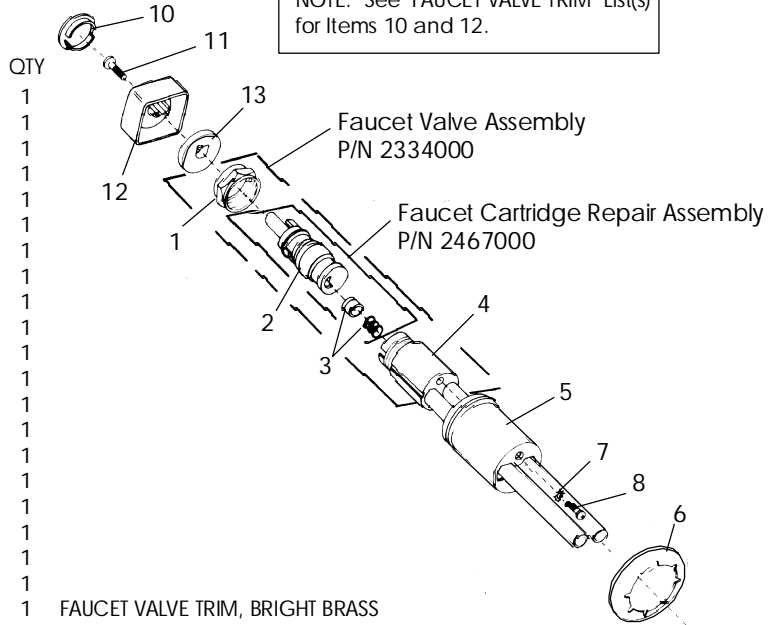
BATHS

FAUCET VALVE

NOTE: See "FAUCET VALVE TRIM" List(s) for Items 10 and 12.

FAUCET VALVE TRIM, COLOR SELECT

ITEM	P/N	DESCRIPTION	QTY
10	7955904	Insert, Faucet Handle, Hot, Tan	1
10	7956904	Insert, Faucet Handle, Cold, Tan	1
12	7952904	Faucet Handle, Tan	1
10	7955914	Insert, Faucet Handle, Hot, Almond	1
10	7956914	Insert, Faucet Handle, Cold, Almond	1
12	7952914	Faucet Handle, Almond	1
10	7955917	Insert, Faucet Handle, Hot, Black	1
10	7956917	Insert, Faucet Handle, Cold, Black	1
12	7952917	Faucet Handle, Black	1
10	7955924	Insert, Faucet Handle, Hot, Blue	1
10	7956924	Insert, Faucet Handle, Cold, Blue	1
12	7952924	Faucet Handle, Blue	1
10	7955940	Insert, Faucet Handle, Hot, White	1
10	7956940	Insert, Faucet Handle, Cold, White	1
12	7952940	Faucet Handle, White	1
10	7955945	Insert, Faucet Handle, Hot, Silver	1
10	7956945	Insert, Faucet Handle, Cold, Silver	1
12	7952945	Faucet Handle, Silver	1
10	7955949	Insert, Faucet Handle, Hot, Rose	1
10	7956949	Insert, Faucet Handle, Cold, Rose	1
12	7952949	Faucet Handle, Rose	1
10	7955951	Insert, Faucet Handle, Hot, Shell	1
10	7956951	Insert, Faucet Handle, Cold, Shell	1
12	7952951	Faucet Handle, Shell	1
10	7955952	Insert, Faucet Handle, Hot, Raspberry	1
10	7956952	Insert, Faucet Handle, Cold, Raspberry	1
12	7952952	Faucet Handle, Raspberry	1
10	7955953	Insert, Faucet Handle, Hot, Gray	1
10	7956953	Insert, Faucet Handle, Cold, Gray	1
12	7952953	Faucet Handle, Gray	1
10	7955956	Insert, Faucet Handle, Hot, Pink	1
10	7956956	Insert, Faucet Handle, Cold, Pink	1
12	7952956	Faucet Handle, Pink	1
10	7955962	Insert, Faucet Handle, Hot, Dusty Orchid	1
10	7956962	Insert, Faucet Handle, Cold, Dusty Orchid	1
12	7952962	Faucet Handle, Dusty Orchid	1
10	7953XXX	Insert, Faucet Handle, Diverter, Not Printed	1



FAUCET VALVE TRIM, BRIGHT BRASS

ITEM	P/N	DESCRIPTION	QTY
10	4153000	Insert, Faucet Handle, Br. Brass, Hot	1
10	4158000	Insert, Faucet Handle, Br. Brass, Cold	1
10	4128829	Insert, Faucet Handle, Br. Brass, Not Printed	1
11	4085000	Screw, Thdtpg, PHS #10-32 x .38"L.	1
12	4127829	Faucet Handle, Br. Brass	1
13	2329000	Gasket, Faucet Handle	1

2334000 FAUCET VALVE ASSEMBLY (ORDER BY ASSEMBLY NUMBER)

ITEM	P/N	DESCRIPTION	**QTY
1	N/A*	Retainer, Bonnet Cylinder (Delta RP 1713)	1
2	2464000	Cylinder Valve Assy-Cartridge (Delta RP 1740)	1
3	2469000	Seat and Spring Kit (Delta RP 4993)	1
4	N/A*	Body, Delta Valve (Delta RP 6738)	1
N.S.	1981000	Wrench, Faucet Cartridge	1

2467000 FAUCET CARTRIDGE REPAIR ASSEMBLY (ORDER BY ASSEMBLY NUMBER)

ITEM	P/N	DESCRIPTION	QTY
2	2464000	Cylinder Valve Assy-Cartridge (Delta RP 1740)	1
3	2469000	Seat and Spring Kit (Delta RP 4993)	1
N.S.	1981000	Wrench, Faucet Cartridge	1
N.S.	F920000	Instruction, Faucet Replacement	1

VALVE MOUNTING HARDWARE

ITEM	P/N	DESCRIPTION	QTY
5	2313000	Mount, Valve Body	1
6	2338000	Speed Nut, Push-On, 1.5"	1
7	4051000	Washer, #10 Ext. Tooth, Locking	2
8	3971000	Screw, PHPM, #10-24 x .50"L.	2

*Not available as a single part.

**Quantity shown is the number of items required for each faucet valve.

FAUCET VALVE TRIM, CHROME

ITEM	P/N	DESCRIPTION	QTY
10	4151000	Insert, Faucet Handle, Chrome, Hot	1
10	4156000	Insert, Faucet Handle, Chrome, Cold	1
10	4128827	Insert, Faucet Handle, Chrome, Not Printed	1
11	4085000	Screw, Thdtpg, PHS #10-32 x .38"L.	1
12	4127827	Faucet Handle, Chrome	1
13	2329000	Gasket, Faucet Handle	1

FAUCET VALVE TRIM, GOLD

ITEM	P/N	DESCRIPTION	QTY
10	4152000	Insert, Faucet Handle, Gold, Hot	1
10	4157000	Insert, Faucet Handle, Gold, Cold	1
11	4085000	Screw, Thdtpg, PHS #10-32 x .38"L.	1
12	4127828	Faucet Handle, Gold	1
13	2329000	Gasket, Faucet Handle	1