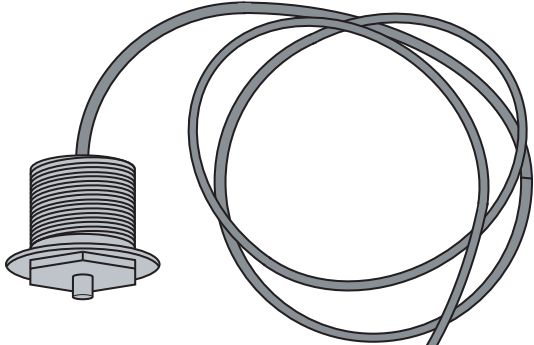


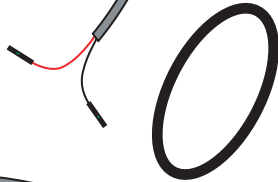


# Sensors

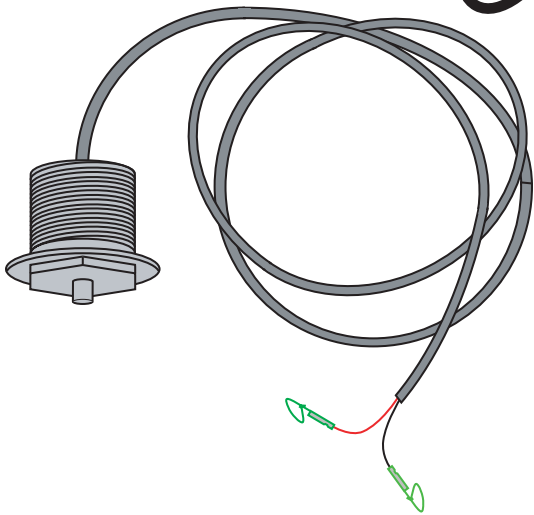
## Temperature Sensors



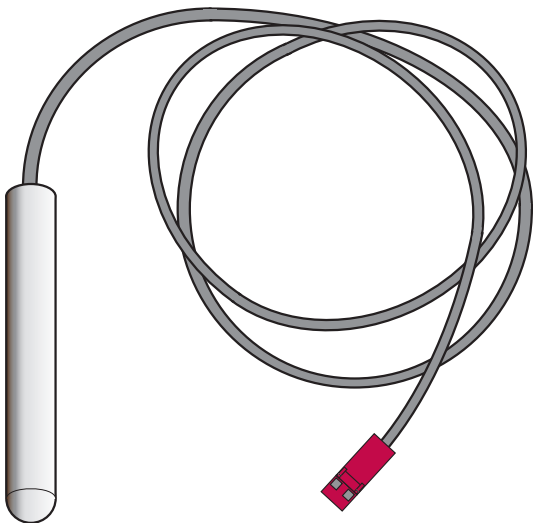
**Sensor: Protech LCD Temp 2002+**  
**JP #6600-105**  
**Box End Connectors**



**O-ring: Temp Sensor LCD and LED Models**  
**JP #6540-228**



**Sensor: Protech LED Temp 2002+**  
**JP #6600-070**  
**Curled Finger Connectors**

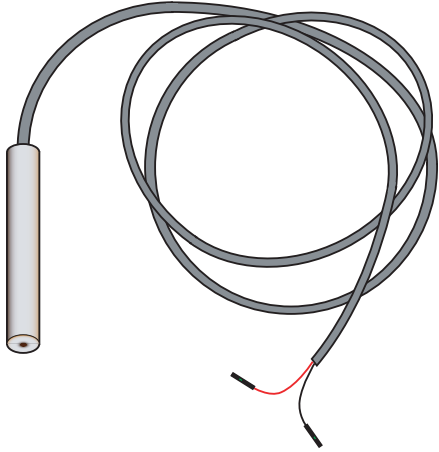


<b>Description</b>	<b>JP #</b>	<b>JWB #</b>
Sleeve: Temp Sensor (3/31/01 and Previous)	2000-200	5659000
Sensor: Temp Repair 96"L	2000-637	S092000
Sensor: Temp Repair 24"L (High Limit)	2000-638	S093000
Grommet: Sealing Temp Sensor (3/31/01 and Previous)	2540-400	5660000
Sensor: Temperature (12/31/01 and Previous)	2600-022	F807000
Sensor: Temp and Hi-Limit w/Plug (12/31/01 and Previous)	2600-023	F805000

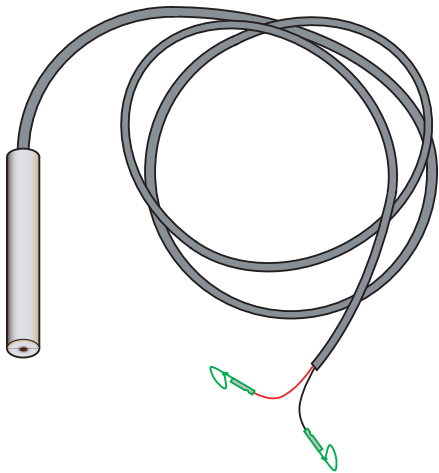


# Sensors

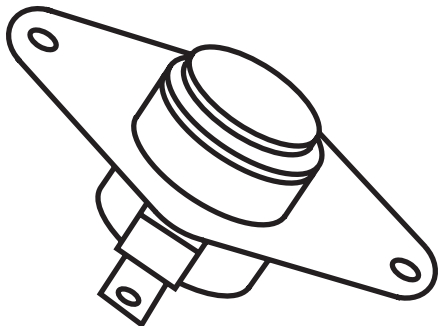
## Hi-Limit Sensors



**Sensor: Protech LCD Hi-Limit 2002+**  
**JP #6600-128**  
**Box End Connectors**

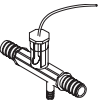


**Sensor: Protech LED Hi-Limit 2002+**  
**JP #6600-068**  
**Curled Finger Connectors**



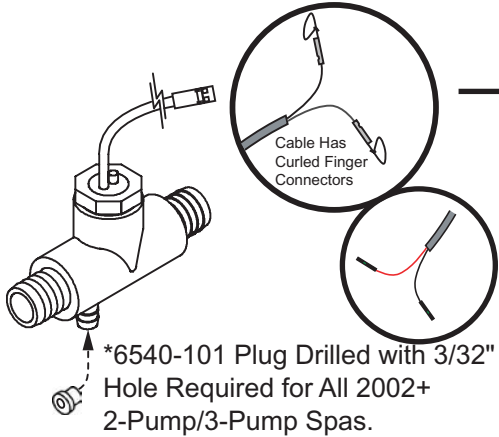
**Sensor: Hi-Limit Disc**  
**JP #6000-093**

<b>Description</b>	<b>JP #</b>	<b>JWB #</b>
Repair Safety Switch: Hi-Limit Control	2000-069	M490000
Thermostat: Hi-Limit Control	2000-629	P518000
Sensor: Hi-Limit	2600-021	F806000



# Sensors

## Flow / Pressure Switches

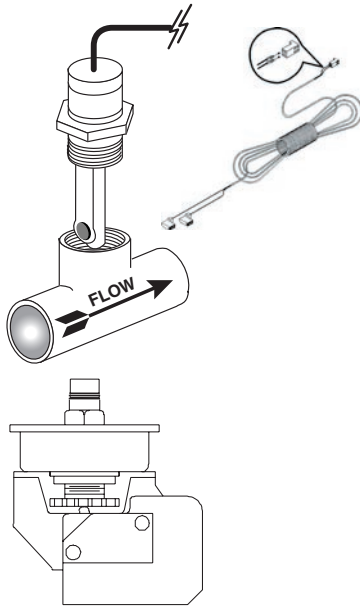


**Switch: Flow Assembly 2002+ LED**  
**JP #2560-040**  
**Curled Finger Connectors**  
**Vertical Heater 2000-2001 Platinum Series**

**Switch: Flow Assembly 2002+ LCD**  
**JP #6560-860**  
**Box End Connectors**

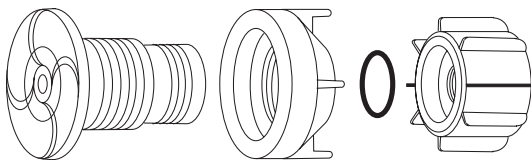
**Switch: Flow Assembly 2002 - 2003 J-310, 2004 J-315/J-325**  
**JP #6560-852**

**Harness: Pressure/Flow Switch**  
**JP #6600-069**



Description	JP #	JWB #
Switch: Pressure 1 PSI (1997-1999)	2000-064	G323000
Switch: Pressure 2 PSI	2000-065	F800000
Switch: 2" Flow Assembly w/Snap-in Plug	2000-067	B749000
Switch: Flow Assembly 2" Pigtail	2000-128	B754000
Switch: Pressure 20 Amp	2000-627	P513000
Switch: Pressure 2 PSI	2000-636	R961000

## Miscellaneous



**Connector: Sensor Mount**  
**JP #2000-076**  
**JWB #J827000**  
**Used on K100 Pinnacle**

Description	JP #	JWB #
Repair Kit: Adjustable Thermostat	2000-084	M065000
Thermostat: Adjustable	2000-631	P520000
Harness: Freeze Protection	2560-010	K599000